

Index of Inventors from Pope County, Illinois 1869-1900

Compiled by Margaret J. Collins
Library Program Specialist
Illinois State Library

BAY CITY

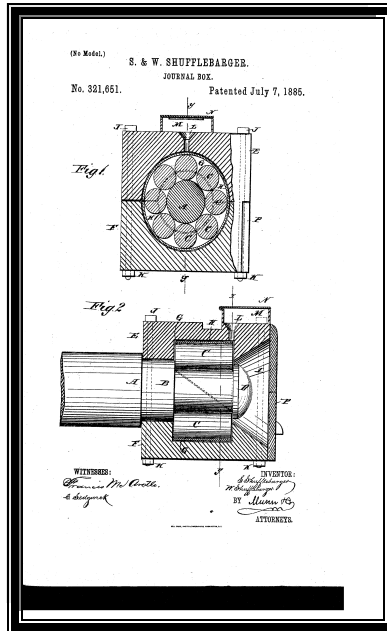
John Dusch	194,339	Aug. 21, 1877	Improvement in
Band Cutting Feeders for Thrashing Machines			
John Dusch	201,759	Mar. 26, 1878	Improvement in
Harvesters			
Henry Lewis	194,339	Aug. 21, 1877	Improvement in
Band Cutting Feeders for Thrashing Machines			
Henry Lewis	201,759	Mar. 26, 1878	Improvement in
Harvesters			

COLUMBUS

Fredrik Wierwille	238,822	Mar. 15, 1881	Horseshoe Nail Clincher
-------------------	---------	---------------	-------------------------

EDDYVILLE

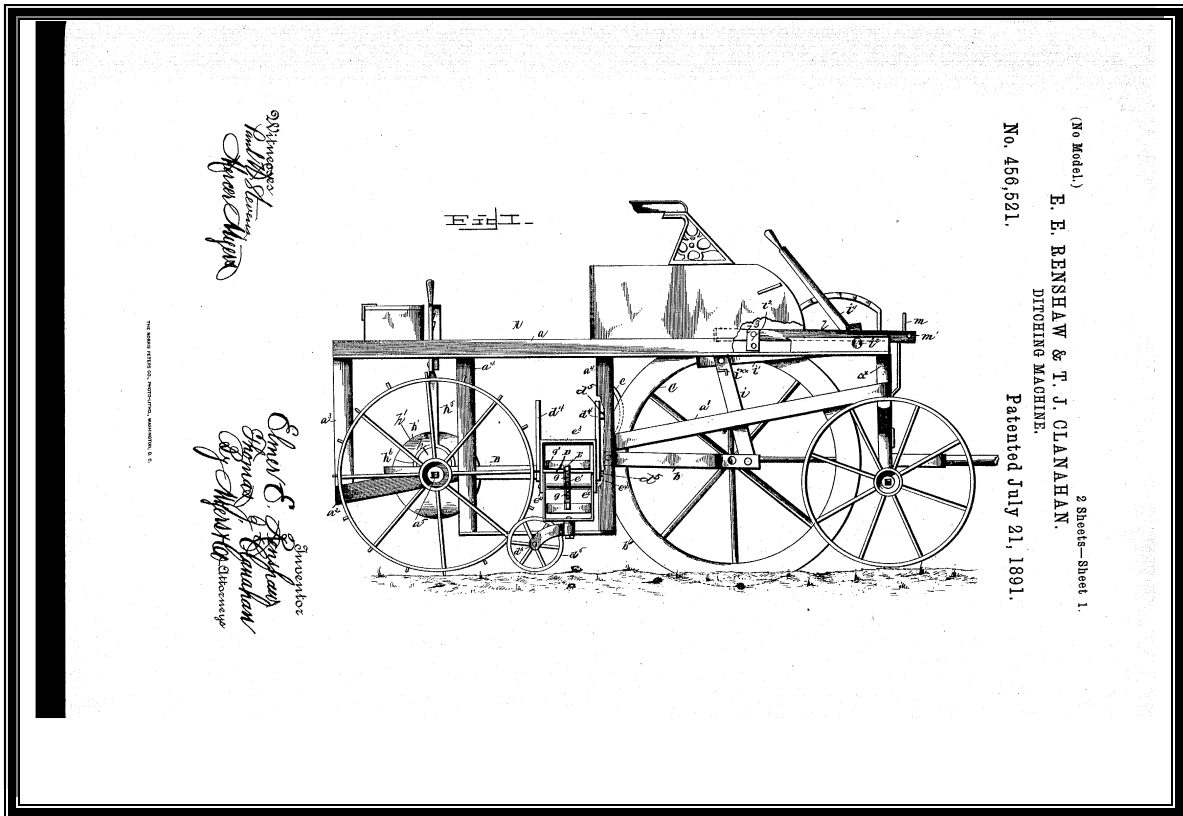
Mitchell T. Chancy	585,157	June 22, 1897	Saw Knife
Wiley Rose	391,081	Oct. 16, 1888	Quilt Holding
Attachment for Sewing Machines			
Simon Shufflebarger	321,651	July 7, 1885	Journal Box
Willis Shufflebarger	321,651	July 7, 1885	Journal Box



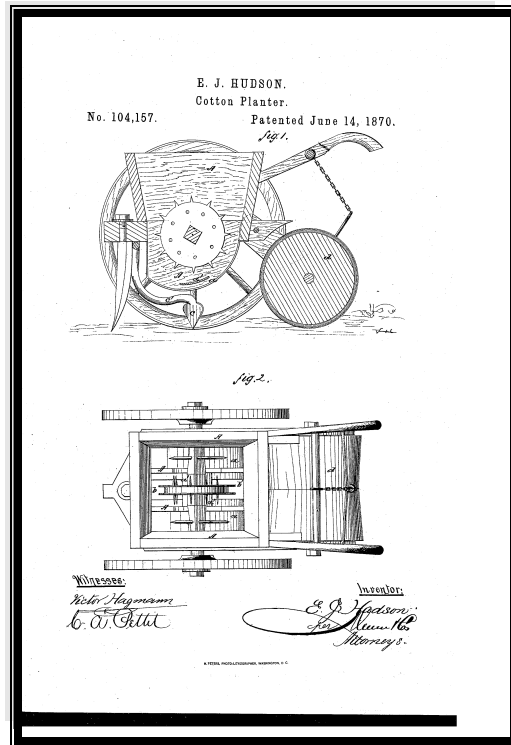
William A. Stone	219,123	Sep. 2, 1870	Improvement in
Corn Shellers			
William A. Stone	352,496	Nov. 9, 1886	Hoop Shaving
Machine			

GOLCONDA

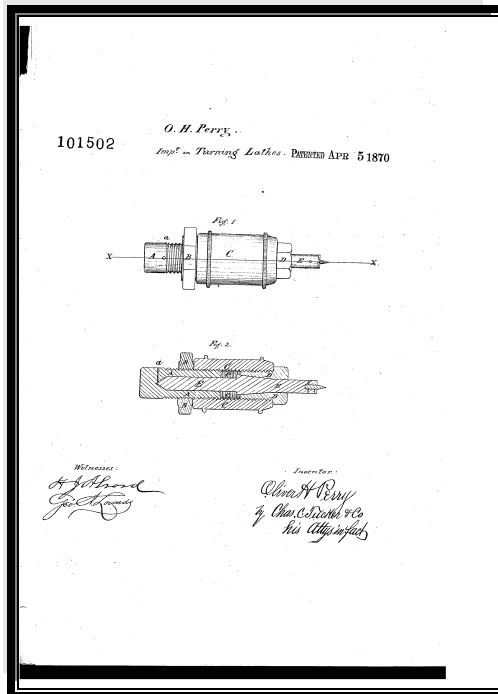
Simon S. Barger	92,248	July 6, 1869	Improved Medical
Compound for Treating Hog Cholera			
Thomas J. Clanahan	456,521	July 21, 1891	Ditching Machine



Thomas J. Clanahan	456,522	July 21, 1891	Plow
Henry Glass	251,570	Dec. 27, 1881	Flux
Henry Glass	287,272	Oct. 23, 1883	Process of and
Apparatus for Aging Liquors			
Edward J. Hudson	104,157	June 14, 1870	Improvement in
Cotton Seed Planters			



Edward J. Hudson Escapes	110,851	Jan. 10, 1871	Improvement in Fire
John C. Johnson Wagon Skeins	97,408	Nov. 30, 1869	Improvement in
Olive H. Perry Wood Turning Lathes	101,502	Apr. 5, 1870	Improvement in



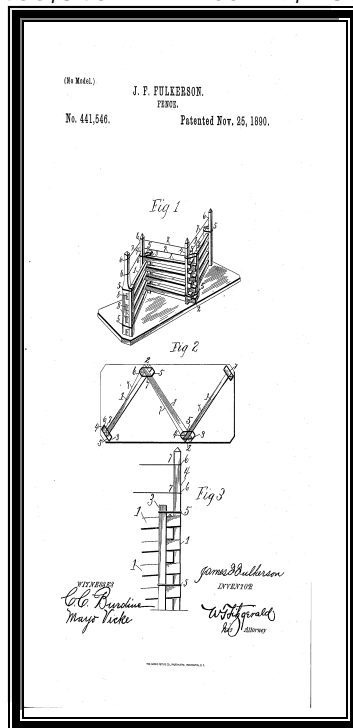
Elmer E. Renshaw	373,484	Nov. 22, 1887	Ditching Machine
Elmer E. Renshaw	392,637	Nov. 13, 1888	Felly Iron
Elmer E. Renshaw	456,521	July 21, 1891	Ditching Machine
Elmer E. Renshaw	456,522	July 21, 1891	Plow
George E. Shoop Shoes	582,961	May 18, 1897	Strap for Boots or
Charles F. Steinkamp	479,901	Aug. 2, 1892	Wire Stretcher
Thomas P. Williamson Hives	211,537	Jan. 21, 1879	Improvement in Bee

NEW LIBERTY

Charlie Kayler Indicator	551,865	Dec. 24, 1895	Street Corner
Henry Lewis	337,594	Mar. 9, 1886	Fire Escape
Henry Lewis Indicator	551,865	Dec. 24, 1895	Street Corner

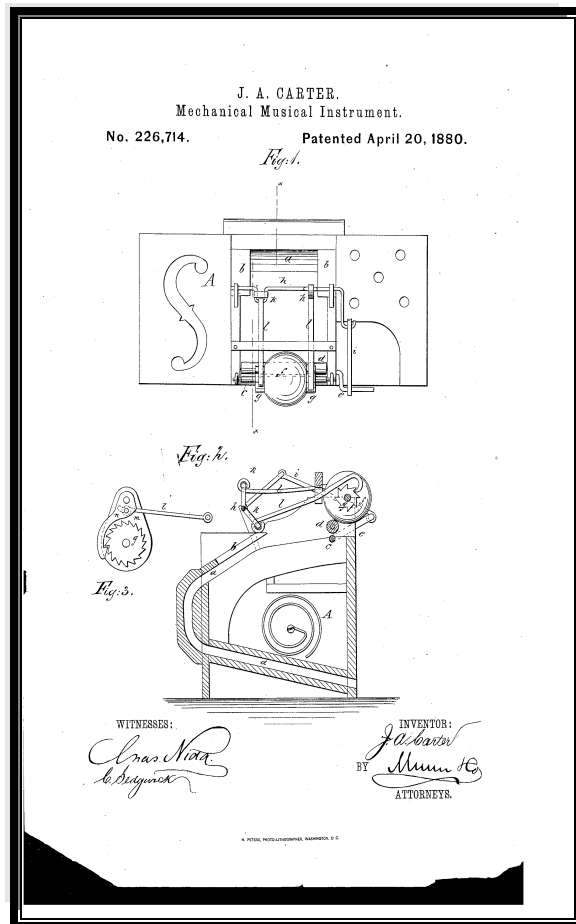
RAUM

James F. Fulkerson	441,546	Nov. 25, 1890	Fence
James F. Fulkerson	465,846	Dec. 29, 1891	Hand Planter



ROSE BUD

John A. Carter Instrument	226,714	Apr. 20, 1880	Mechanical Musical
------------------------------	---------	---------------	--------------------



Endnotes:

Inventor's residence is determined by the residence on the patent.

Resources:

United States Patent and Trademark Office. <http://www.uspto.gov/patft/index.html>

Google Patents. <http://www.google.com/patents>.

Illinois State Library Patent and Trademark Depository Library.

http://www.cyberdriveillinois.com/departments/library/what_we_have/patents_and_trademarks/home.html

Margaret J. Collins
Library Program Specialist
Patent and Trademark Depository Library
Illinois State Library
Gwendolyn Brooks Building
300 South Second Street
Springfield, IL 62701-1786
(217) 782-5659
FAX (217) 782-8432
mcollins@ilsos.net

Jesse White, Illinois Secretary of State and State Librarian

11/3/2008 1:14:13 PM