

INDEX OF VIRGINIA AFRICAN AMERICAN INVENTORS

1880-2006

Compiled by

Margaret J. Collins

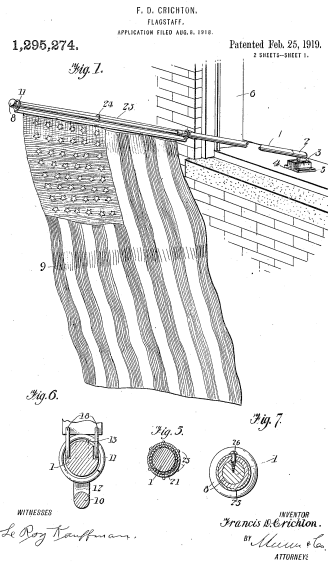
Library Program Specialist

Patent and Trademark Depository Library

Illinois State Library

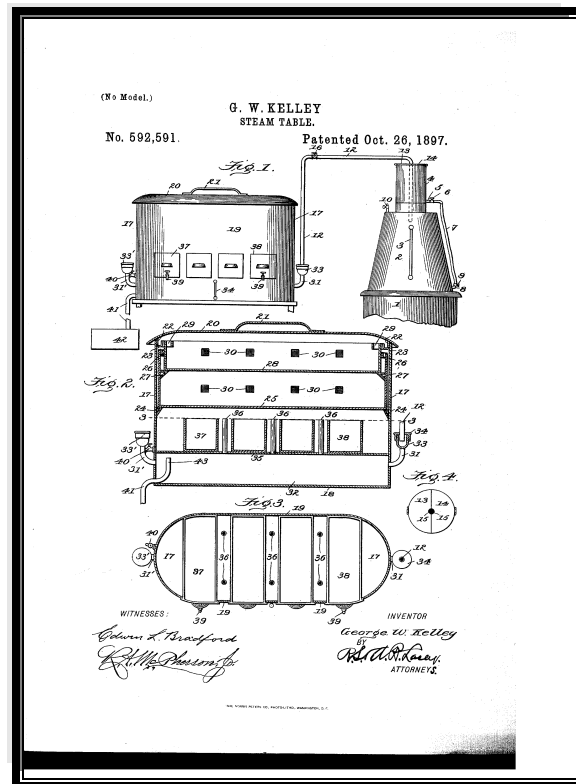
VA

| | | | |
|----------------------|---------------|-----------|---|
| George Edward Alcorn | Oct. 23, 1979 | 4,172,004 | Method for Forming Dense Dry Etched Multi-Level Metallurgy with Non-Overlapped Vias |
| George Edward Alcorn | May 6, 1980 | 4,201,800 | Hardened Photoresist Master Image Mask Process |
| George Edward Alcorn | Sep. 15, 1981 | 4,289,834 | Dense Dry Etched Multi-Level Metallurgy with Non-Overlapped Vias |
| George Edward Alcorn | Sep. 18, 1984 | 4,472,728 | Imaging X-ray Spectrometer |
| George Edward Alcorn | Sep. 24, 1985 | 4,543,442 | GaAs Schottky Barrier Photo-Responsive Device and Method of Fabrication |
| George Edward Alcorn | Oct. 21, 1986 | 4,618,380 | Method of Fabricating an Imaging X-ray Spectrometer |
| Nathaniel Alexander | July 4, 1911 | 997,108 | Folding Chair |
| Carl R. Amos | Nov. 29, 1994 | 5,369,511 | Methods of and Apparatus for Manipulating Electromagnetic Phenomenon |
| Samuel G. Bailey | Sep. 1, 1987 | 4,690,655 | Talking Marionette with Theatre |
| Charles A. Bankhead | July 16, 1963 | 3,097,594 | Assembled Composition Printing Process |
| Charles H. Carter | Apr. 4, 1911 | 988,860 | Cod Skinning Machine |
| Charles H. Carter | Oct. 25, 1921 | 1,394,711 | Automatic Fish Cleaner |
| David W. Cox, Jr. | Feb. 13, 1990 | 4,899,409 | Manual tool for preparing tube ends for jointure |
| Francis D. Crichton | Feb. 25, 1919 | 1,295,274 | Flagstaff |

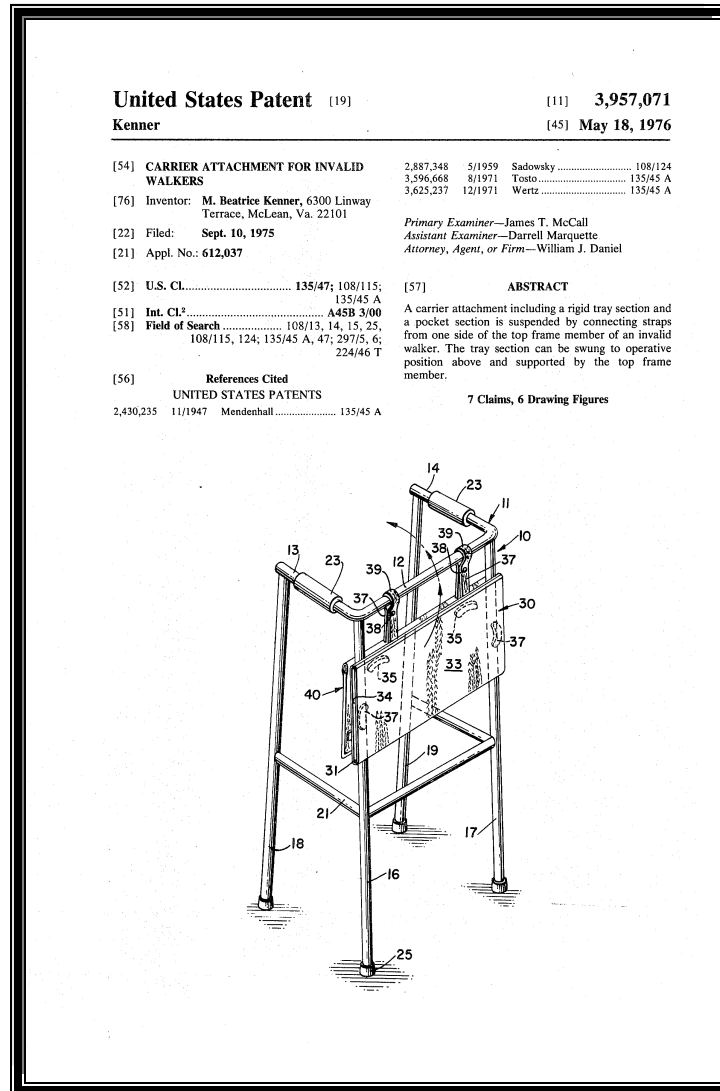


| | | | |
|---|---------------|-----------|-------------|
| Francis D. Crichton | Apr. 26, 1932 | 1,855,824 | Flagstaff |
| Essex Deloatch | June 6, 1916 | 1,186,085 | Dining or |
| Lunch Room Serving Table | | | |
| Leary Dickerson | Sep. 30, 1924 | 1,510,313 | Oyster |
| Punching Device | | | |
| Leary Dickerson | Oct. 20, 1942 | 2,299,311 | Oyster |
| Punching Machine | | | |
| Leary Dickerson | July 6, 1948 | 2,444,636 | Oyster |
| Punching Machine | | | |
| Willie L. Edmonds | June 7, 1988 | 4,749,209 | Collapsible |
| Fishing Gear and Load Bearing Carriage | | | |
| Joseph W. Gilliard | Apr. 17, 1934 | 2,771,200 | Car Park |
| Virginia E. Hall | Apr. 5, 1977 | 4,016,314 | Em- |
| broidered Fruit Bowl Wall Hanging and Kit for Making Same | | | |
| Lawrence Harbin | July 10, 2001 | 6,257,227 | Barbecue |
| Grill Providing Hot Water Heating, Steam and/or Power | | | |
| Lawrence Harbin | June 18, 2002 | 6,405,641 | Cookware |
| for Vertical Hearth Barbecue Grill | | | |
| Lawrence Harbin | July 2, 2002 | 6,412,480 | Detachable |
| Legs for Vertical Hearth Barbecue Grill | | | |
| Minnis Headen | Oct. 5, 1886 | 350,363 | Foot Power |
| Hammer | | | |
| Benjamin Hicks | Mar. 18, 1890 | 423,686 | Peanut |
| Planter | | | |

| | | | |
|----------------------|---------------|-----------|---|
| Benjamin Hicks | Dec. 10, 1901 | 688,519 | Machine for Stemming and Cleaning Peanuts or Green Peas |
| Benjamin Hicks | Feb. 24, 1920 | 1,332,125 | Fertilizer Distributer |
| Aaron C. Jackson | Aug. 13, 1991 | 5,039,107 | Football Board Game Directed to Simulating Athletic Competition |
| Andre' J. Jackson | Oct. 6, 1984 | 4,476,879 | Apparatus for and Methods of Collecting Urine from Laboratory Animals |
| Andre' J. Jackson | Dec. 17, 1985 | 4,558,807 | Umbrella Holder |
| Jerome D. Jackson | Jan. 26, 1999 | 5,864,301 | Systems and methods employing a plurality of signal amplitudes to identify an object |
| Jerome D. Jackson | Mar. 28, 2000 | 6,043,755 | Systems and Methods Employing A Plurality of Signal Amplitudes to Record the Presence of Multiple Objects |
| Clinton Jones | June 21, 1949 | 2,474,054 | Electric Release for Toy Guns |
| Willie G. Jones, Sr. | Apr. 6, 1976 | 3,948,516 | Basketball Rim and Net Structure |
| George W. Kelley | Oct. 26, 1897 | 592,591 | Steam Table |

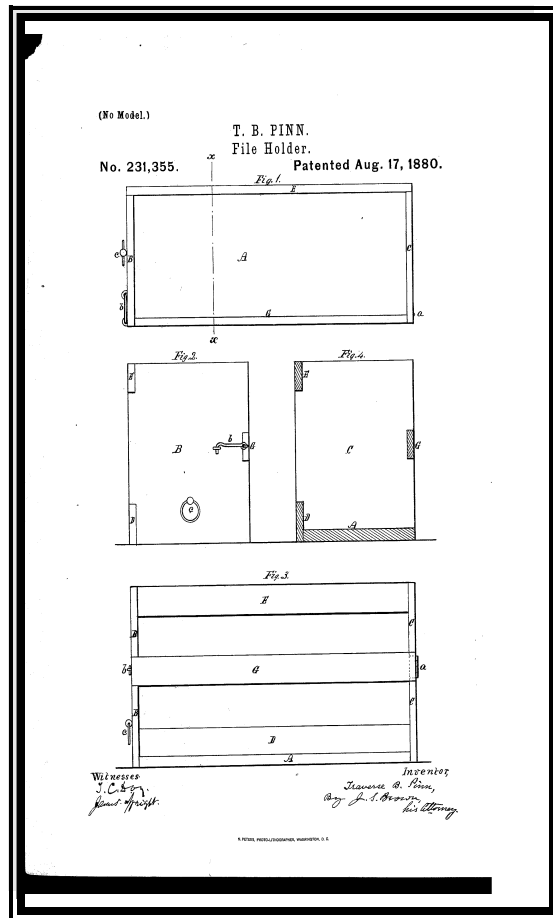


| | | | |
|--------------------------------------|---------------|-----------|----------|
| Mary B. Kenner | Sep. 9, 1987 | 4,696,068 | Shower |
| Wall and Bathtub Mounted Back Washer | | | |
| Mary B. Kenner | Oct. 19, 1982 | 4,354,643 | Bathroom |
| Tissue Holder | | | |
| M. Beatrice Kenner | May 18, 1976 | 3,957,071 | Carrier |
| Attachment for invalid walkers | | | |

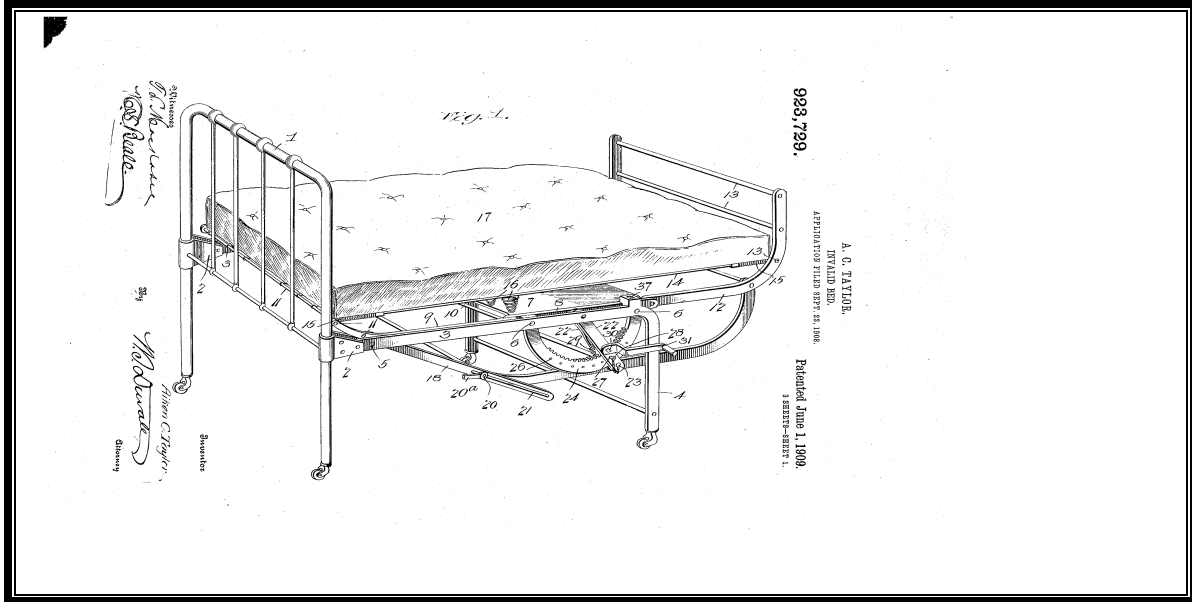


| | | | |
|---|---------------|-----------|--------------|
| Leo Pierre | Aug. 21, 1945 | D142,263 | Design for a |
| Combination Tool | | | |
| Emanuel L. Logan, Jr. | May 11, 1982 | 4,328,985 | Timing |
| apparatus for delaying opening of doors | | | |
| Emanuel L. Logan, Jr. | Oct. 19, 1982 | 4,354,699 | Apparatus |
| for Delaying Opening of Doors | | | |

| | | | |
|-----------------------|-----------------|-----------|--|
| Emanuel L. Logan, Jr. | August 21, 1984 | 4,466,208 | Emergency Exit Sign Utilizing an Electro-luminescent (EL) Lamp and a Brightness Monitor |
| Emanuel L. Logan, Jr. | Sep. 11, 1984 | 4,470,625 | Emergency Exit Door Latch with Hydraulic and Electronic Delay |
| Emanuel L. Logan, Jr. | Dec. 18, 1984 | 4,489,308 | Emergency Exit Indicators |
| Emanuel L. Logan, Jr. | Sep. 10, 1985 | 4,540,208 | Point-of-egress Control Device for Safely Securing Emergency Exit Doors |
| Donald R. Lyons | Sep. 3, 1996 | 5,552,882 | Methods of and Apparatus for Calibrating Precisely Spaced Multiple Transverse Holographic Gratings in Optical Fibers |
| Donald R. Lyons | Nov. 18, 2003 | 6,650,799 | Apparatus for and Methods of Sensing Evanescent Events in a Fluid Field |
| Donald R. Lyons | July 5, 2005 | 6,915,028 | Apparatus for and methods of sensing evanescent events in a fluid field |
| Donald R. Lyons | May 23, 2006 | 7,050,661 | Process to create artificial nerves for biomechanical systems using optical waveguide network |
| John L. Mack | June 17, 1986 | 4,596,041 | Participant-identification recording and playback system |
| Jerome Nicholson | June 22, 1999 | 5,913,606 | Bags |
| Jerome Nicholson | June 20, 2000 | 6,076,658 | Toothpick holder |
| Jerome Nicholson | May 7, 2002 | 6,382,295 | Mini-Blind/Curtain Rod Bracket |
| Traverse B. Pinn | Aug. 17, 1880 | 231,355 | File Holder |



| | | | |
|-----------------------|---------------|-----------|--|
| Frank O. Price | Nov. 17, 1987 | 4,706,959 | Quarter-back draw football |
| Debrilla M. Ratchford | June 13, 1978 | 4,094,391 | Suitcase with wheels and transporting hook |
| Acie J. Sabb | Mar. 21, 1978 | 4,079,881 | Picture Postcard |
| Clarence O. Smithea | Feb. 24, 1976 | 3,940,166 | Auxiliary Retention Belt and Support Cushion for Seat of Open Vehicles |
| George B.D. Stephens | Sep. 11, 1956 | 2,762,377 | Cigarette Holder and Ash Tray |
| Aiken C. Taylor | June 1, 1909 | 923,729 | Invalid Bed |



| | | | |
|--|----------------|-----------|-------------|
| Aiken C. Taylor Step Ladder | June 10, 1913 | 1,064,693 | Extension |
| Aiken C. Taylor | Feb. 8, 1916 | 1,171,367 | Window |
| Aiken C. Taylor Strip | April 24, 1917 | 1,223,445 | Weather |
| Aiken C. Taylor | May 15, 1917 | 1,226,145 | Window |
| Aiken C. Taylor Proof Window Head | Dec. 3, 1918 | 1,286,445 | Weather - |
| Aiken C. Taylor Bed | Dec. 31, 1918 | 1,289,959 | Convertible |
| Aiken C. Taylor Pivoted Window Sash | Jan. 21, 1919 | 1,292,144 | Lock for |
| Cleveland T. Tucker Starter | Sep. 29, 1981 | 4,291,653 | Door Car |
| Willie L. Turner Shears | Jan. 31, 1984 | 4,428,119 | De-ending |

Endnotes

Inventor's residence is determined by the residence on the patent

*This inventor has multiple patents all of them may not be listed.

For additional patents for this inventor see

<http://www.uspto.gov/patft/index.html> or
<http://www.google.com/patents>.

Sources

Baker, Henry E. The Colored Inventor. Salem, NH: Ayer Company Publisher, 1913, Reprints Edition 1992.

Brown, Mitchell C. African American Women Inventors: Historical: The Faces of Science: African American in the Sciences.
http://www.princeton.edu/~mcbrown/display/women_inventors.html.
1995-2000.

Diggs, Irene. Black Innovators. Chicago, IL: Institute of Positive Education, 1975.

Gibbs, C. R. Black Inventors: From Africa to America Two Million Years of Invention and Innovation. Silver Spring, MD: Three Dimensional Publishing, 1995.

Inventions and Patents of African-Americans - 20th Century. St. Louis: St. Louis Public Library, <http://www.slpl.lib.mo.us/libsrc/inv20.htm>
Prepared by Velma L. Martin, Librarian. St. Louis Public Library, Dec., 1996 (accessed Jan. 24, 2007)

Mapp, Shannon H. Black Miracles; the Miracles of Black Inventors and Scientists. Asheville, NC: Purpose Publishing, 1998.

Negro Year Book: An Annual Encyclopedia of the Negro 1925-26.
Edited by Monroe N. Work. Tuskegee Institute, AL: Negro Year Book Publishing Co., 1925.

Negro Year Book: A Review of Events Affecting Negro Life 1941-1946.
Edited by Jessie ParkHurst Guzman. Tuskegee Institute, AL: Foote and Davies, Inc., 1947.

Negro Year Book: A Review of Events Affecting Negro Life 1952. Edited by Woodrow Hall, et al. WM H. Wise & Co., NY., 1952.

Simpson, Helen McWorter. Makers of History. Evansville, IN: Laddie B. Warren, 1981.

Sluby, Patricia Carter. The Inventive Spirit of African Americans: Patented Ingenuity. Westport, CT: Praeger, 2004.

Walker, Juliet. The History of Black Business in American: Capitalism, Race, Entrepreneurship. NY: Twayne's Evolution of Modern Business Series, 1998.

Webster, Raymond B. African American Firsts in Science and Technology. Farmington Hills, MI: Gale Group Inc., 1999.

Margaret J. Collins
Library Program Specialist
Patent and Trademark Depository Library
Illinois State Library
Gwendolyn Brooks Building
300 South Second Street
Springfield, IL 62701
217-782-5659
217-782-8432
Mcollins@ilsos.net

Jesse White
Illinois Secretary of State and State Librarian
10/3/2008 11:06:55 AM